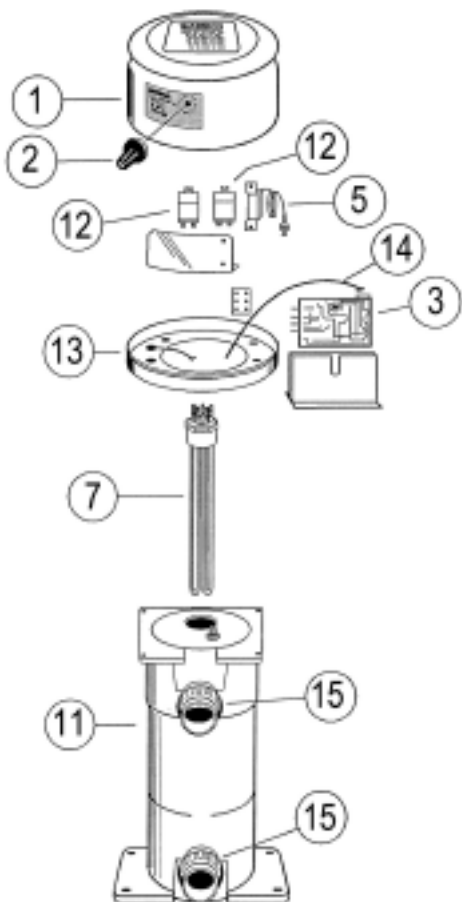


# WATERCO ELECTRIC HEATER (ELECTRONIC) - DISCONTINUED

| Part Number | Product Description                                  | Diagram Number |
|-------------|--|----------------|
| 460281      | Heater Lid 3 phase                                   | 1              |
| 46029       | Heater Lid single phase                              | 1              |
| S12202      | Heater Control Knob                                  | 2              |
| 4603251     | Heater P.C. Board (1 phase & 3 phase)                | 3              |
| 4603252     | Spa Heater PCB with Retrofit (additional O/T sensor) | 3              |
| 460328      | Water Sensor   | 4              |
| 46036       | Pressure Switch                                      | 5              |
| 460323      | Top Plate 3 phase                                    | 6              |
| 46002       | 6kW Element (Polished) Commercial Application        | 7              |
| 46004       | 8kW Element (Polished) Commercial Application        | 7              |
| 634024B     | Union, Tail & O Ring                                 | 8/9/10         |
| 460312      | Heater Body Single Phase                             | 11             |
| 460321      | Heater Body (18 & 24kW) S/S                          | 11             |
| 460337      | 6kW Single Phase Heater Relay 30 Amp                 | 12             |
| 460333      | 18kW 3 Phase Heater Contactor                        | 12             |
| 460334      | 24kW 3 Phase Heater Contactor                        | 12             |
| 460326      | Temperature Sensor (1 phase & 3 phase)               | 14             |
| 122243B     | Half Union 6kW                                       | 15             |
| 46019       | Element Gasket 6kW, 8kW                              | n/s            |
| 4604441     | Pressure Switch Fitting - Brass                      | 16             |

## SINGLE PHASE



## THREE PHASE

